

Data Sheet

TIM for double glazed U-profiled glass systems

Date 1.1.2019

The double glazed U-channel glass system consists of a surrounding aluminum frame, in which two U-glass panes are set against each other. The space between the panes is completely filled by the translucent insulating insert TIMax® GL or TIMax® GL-PlusF.

The thermal insulation insert **TIMax® GL** in double-glazed standard U-profiled glass is used in glass facades with standard thermal protection requirements (Ug-value up to 1.4W/m²K).

The thermal insulation insert **TIMax® GL-PlusF** (10cm thickness) has a higher material weight than the standard version TIMax® GL (7cm thickness), and is more strongly compressed between the glass panes.

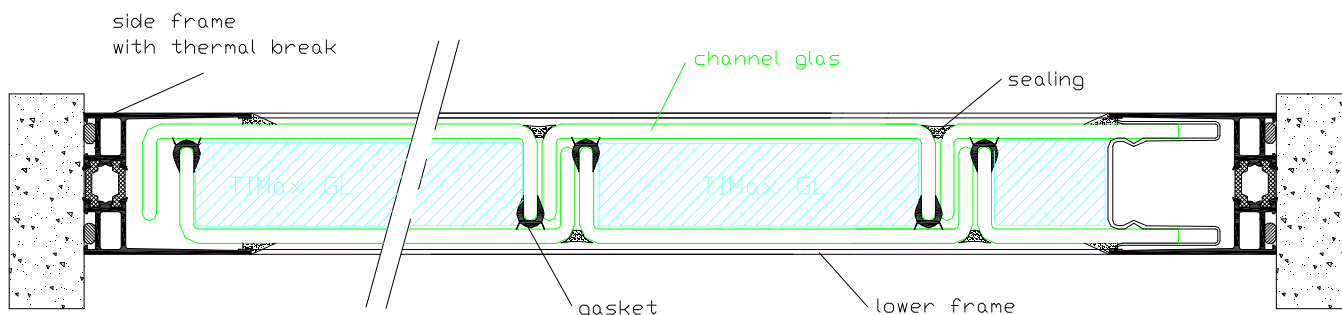
This makes it suitable for the use in double-glazed channel glass facades with increased thermal insulation requirements (Ug-value up to 1.2W/m²K).

Both products offer excellent glare protection and are often used in sports hall glazing, as double-glazed profiled glass is also ball-proof.

Installation: See installation instructions

Tender text for download under:

www.wacotech.de, products profiled glass



Technical data

for TIMax® GL and TIMax® GL-PlusF as insert in double-glazed U-profiled glass

Glass type + frame system	insulating insert	Ug-value [W/m²K]	g-value direct	light transm. τ direct	noise red. Rw [dB]
41mm channel glass (inner and outer shell), within a 60mm frame with approx.37mm air gap	TIMax® GL	1,5	0,38	0,40	
	TIMax® GL-PlusF	1,4*	0,30	0,31	
60mm channel glass (inner and outer shell), within a 83mm frame with approx.56mm air gap	TIMax® GL	1,4*	0,34*	0,37*	44* **
	TIMax® GL-PlusF	1,2*	0,27*	0,28*	44* **

* measured values, test certificate available

** using TIMax insulation improves the noise insulation about 1dB